



INFANT DISCHARGE CART™

Now a Safe and
Convenient Way to
Transport Infants and
Belongings

Keeps infants safe
in their own carrier
so parents can move
safely and conveniently
throughout healthcare
facilities.



**Patients
First
Products**

Revolutionizing the Patient Experience

Advancing Solutions for Safety and
Operations, since 1983

PatientsFirstProducts.com



Infant Discharge Cart™

A safer alternative for personal infant carriers. When babies are discharged or coming into the hospital for any of their health care needs, parents are tasked with carrying their baby in an infant carrier along with their belongings for what can be very long distances. This infant transport makes their trip easier and safer as it is a convenient way to transport baby and all of the gear that they need.

With infant carrier docked safely, parents and caregivers can move about health care facilities safely and conveniently.



Can be used with or without a wheelchair.

FEATURES

1. Keeps the baby and carrier close to mom
2. Infant carrier is safe & secure in the docking station for transport
3. Wheelchair accessible
4. Plenty of room on the cart for personal belongings
5. Provide in any facility wherever infant carriers are brought in for safe & convenient transport
6. Engineered for durability and long life

Infant Discharge Cart™

Personal Infant Carrier Transport



Parents with a newborn typically have an infant carrier and a lot of belongings to carry with them.



The Infant Discharge Cart safely docks baby and carrier, accommodates all their belongings and makes moving through health care facilities safe and convenient.

7. Holds personal infant carriers securely
8. Works with all make and model infant seat carriers
9. All materials are non-toxic and colorfast
10. Meets all applicable standards and regulations
11. Easily nests one into another to conserve floor space
12. Warning graphics and instructions permanently molded in



Infant Discharge Cart™

Features



Ergonomics

- Stainless Steel handles are ergonomically designed for someone to push from a standing position or from a wheelchair.
- The molded in shelf is also a convenient handle and provides a handy place for small items, flowers or a handbag.
- Large area under shelf allows easy access for a wheelchair.
- Easy to use adjustable silicone strap keeps vases of varying sizes upright and secure



Wheels

- Includes a static dissipating caster so the unit does not build up a static charge.
- Dual brakes keeps the unit stationary during loading and unloading.
- Wheels are extremely quiet.
- Wheel treads are non-marking.



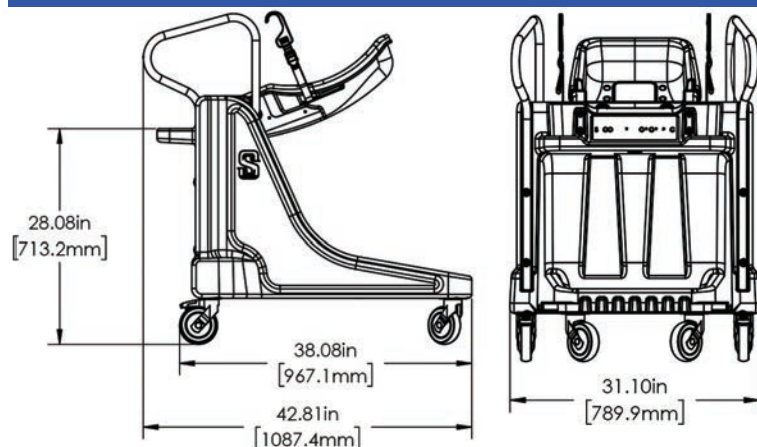
Docking Station

- Personal infant carriers dock securely in the Infant Discharge Cart's Docking Station.
- Infant carrier is held in place with pull tight side hooks for a safe, secure, and sanitary connection.

13. Entire unit is easy to clean and maintain
14. Constructed of durable, commercial food grade plastic and stainless steel
15. Large flat bed area to accommodate luggage, bags, and accessories
16. Platform has grates to dispel rain water
17. Safe-Dock securely holds an infant carrier
18. Shelf available with a drain hole if unit is planned to go outside

SPECIFICATIONS

Infant Discharge Cart™



Component	Specification
Plastic	LLDPE (Food Grade)
Metal	Stainless Steel
Restraints	Nylon Webbing with Plastic Fasteners
Casters	5" Diameter, Polyurethane Treads, Precision Bearings
Front	Static Dissipative Caster
Rear	Total Lock Brake Casters
Cart Weight	60 lbs
Cart Load Weight Capacity	500 lbs
Safe-Dock Weight Capacity	50 lbs
Nest Distance	16 inches



Available in blue, gray and pink.

Custom Colors available, minimums apply, call for details

Units pictured above are nested one into another to save space.



Patients First Products

Revolutionizing the Patient Experience

Patients First Products

13830 Jetport Commerce Parkway
Suite 2
Fort Myers, FL 33913

800.356.7796
973.442.4623
Fax: 973.442.8195

PatientsFirstProducts.com

Patented and Patents pending



Patients First Products



Over Three Decades of Engineering and Safety Excellence

1985: The White House Recognition of Efforts in Child Safety

1986: 1st Place Trophy Public Service Award Winner

1993: JPMA Winner – New Product Competition

1994: IMRA Winner – Creativity Award

1996: CPSC Consumer Product Safety Commission Chairman's Commendation for Significant Contributions to Product Safety

1997: Pro/ENGINEER Pro/Award – Winner Product Competition

1998: Golden Shopping Cart Award

2003: Design of the Times Award - Gold

2003: Design of the Times Award - Bronze

2004: Outstanding Achievement in Design Award - Bronze

2010: Brass Ring Award for Best New Product

2014: Disney Partnership in Technology

2018: Brass Ring Award for Best New Product